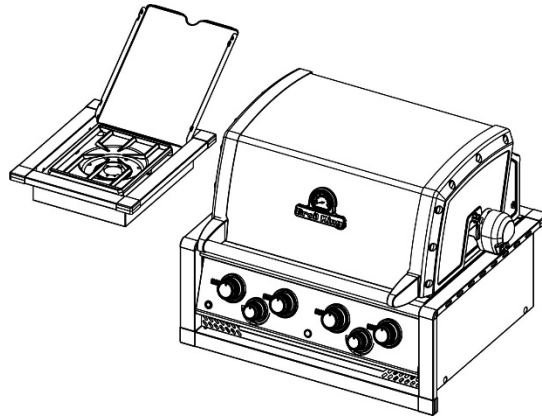
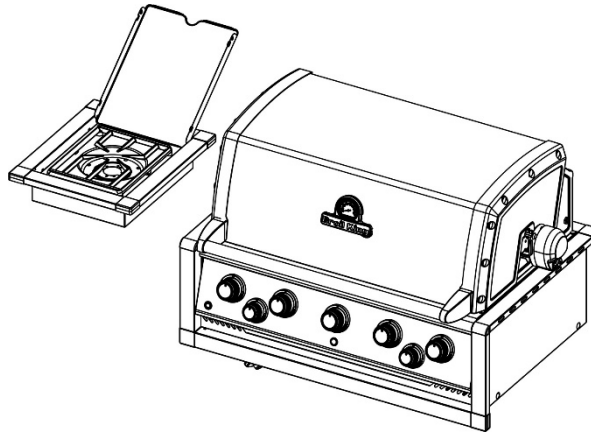


Broil King®

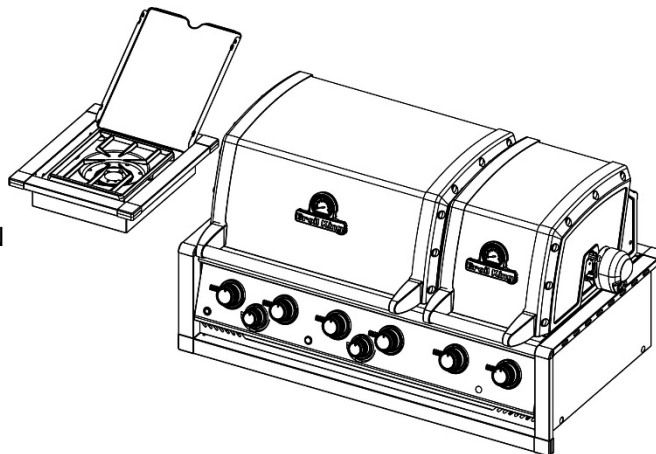
Broil King
IMPERIAL 490 BUILT-IN
9560-82
9560-83
9560-86
9960-82
9960-83
9960-86



Broil King
IMPERIAL 590 BUILT-IN
9580-82
9580-83
9580-86
9980-82
9980-83
9980-86

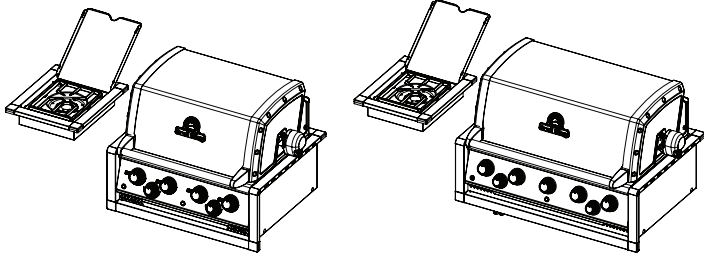


Broil King
IMPERIAL XLS BUILT-IN
9570-82
9570-83
9570-86
9970-82
9970-83
9970-86

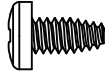


Onward
SINCE 1906
MANUFACTURING COMPANY LIMITED
585 KUMPF DRIVE
WATERLOO, ONTARIO, CANADA
N2V 1K3

HARDWARE INCLUDED

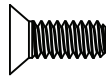


Y-29304



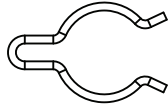
X4

Y-29301



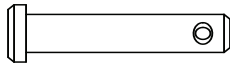
X2

Y-11230



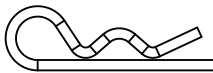
X1

S21235



X2

S21233



X2

S35095

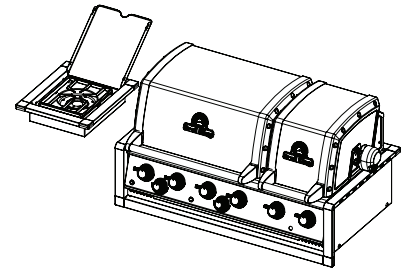
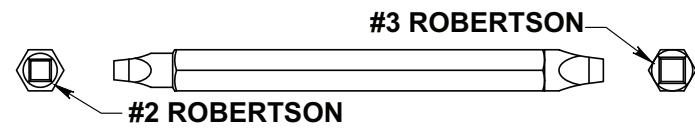


X2

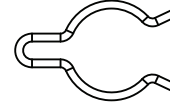
S21061



X2

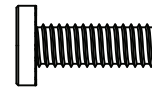


Y-11230



X1

S35095

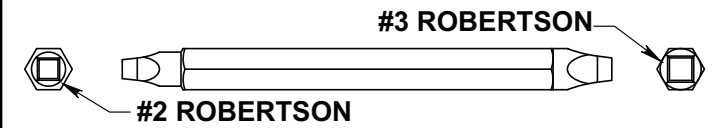


X2

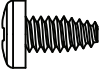
S21061

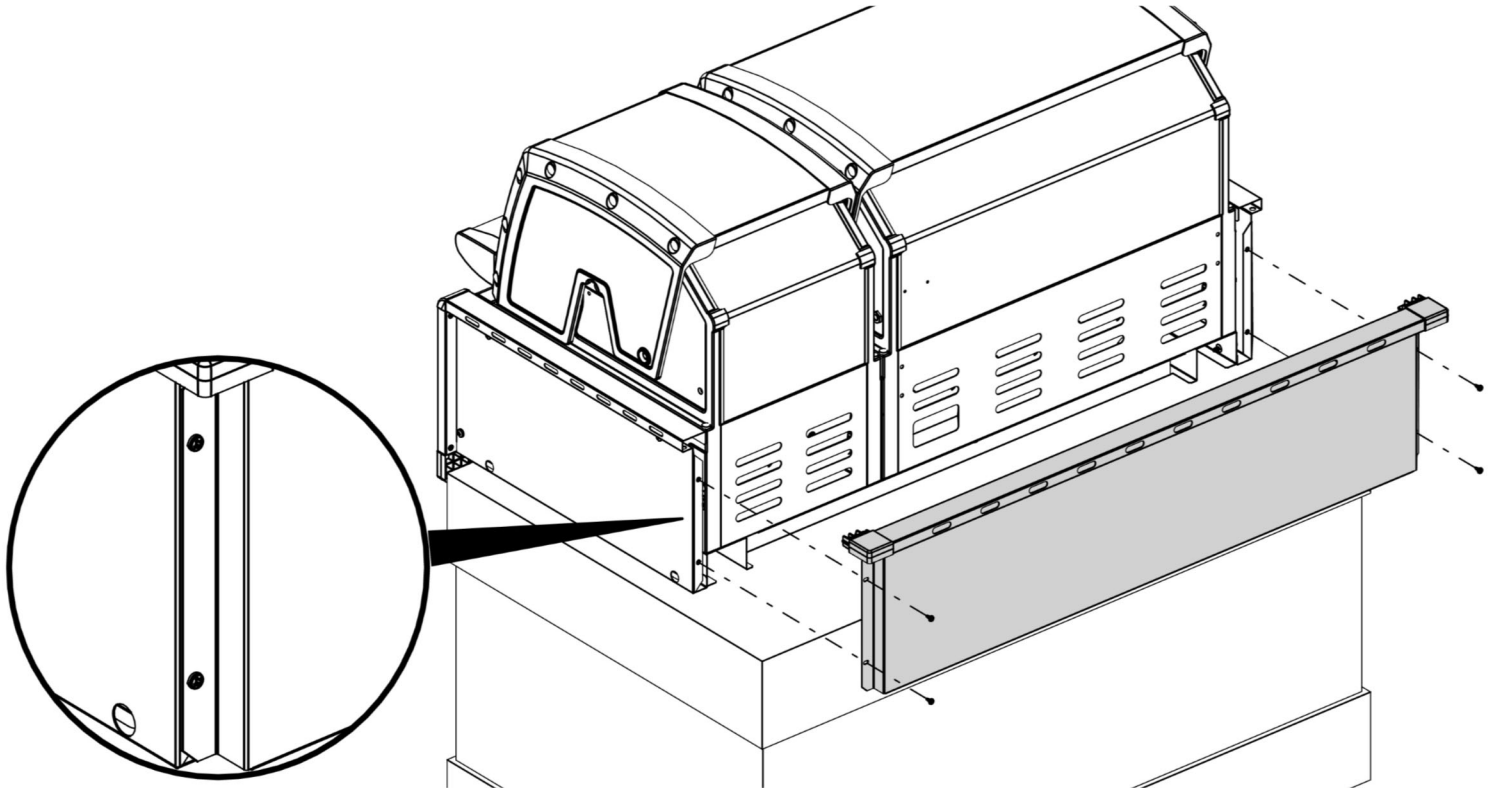


X2



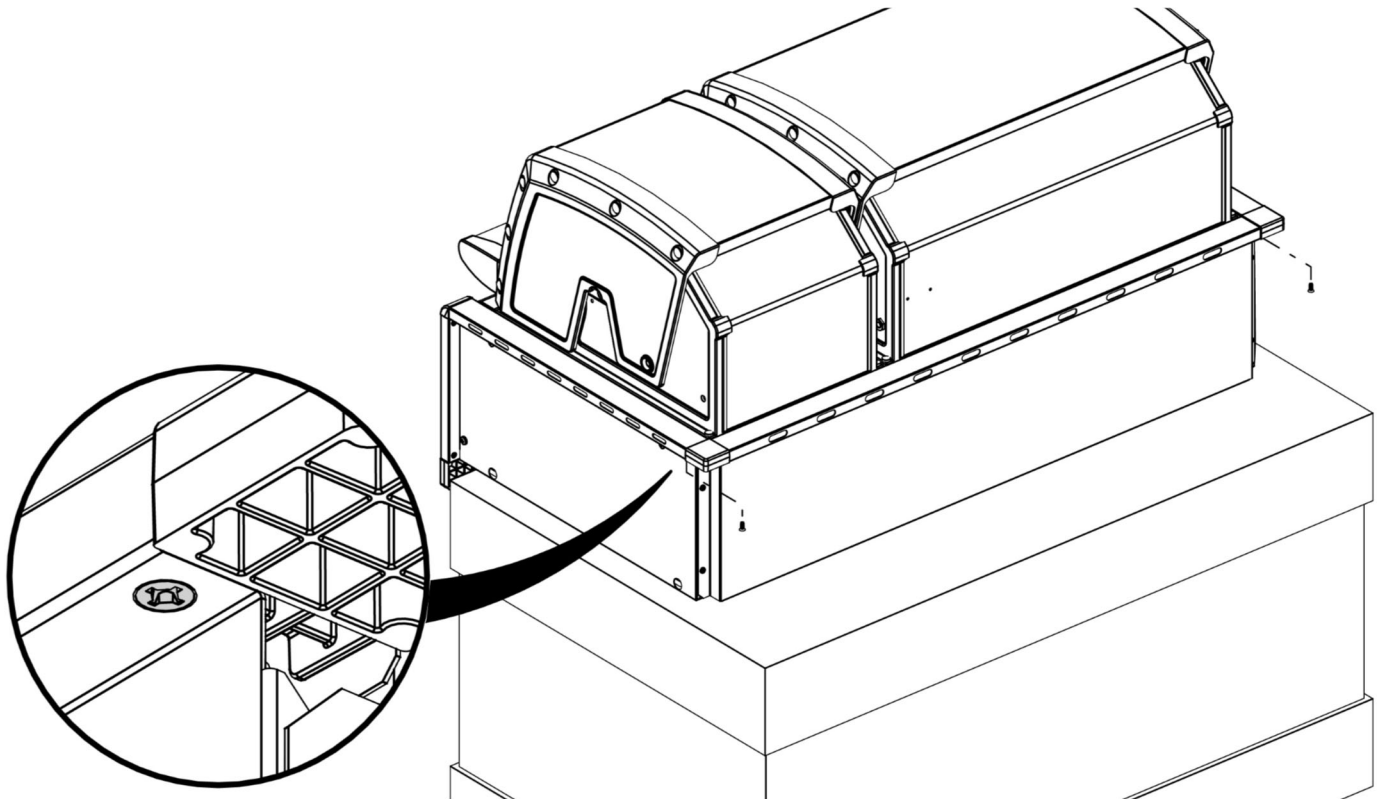
1

(4) 

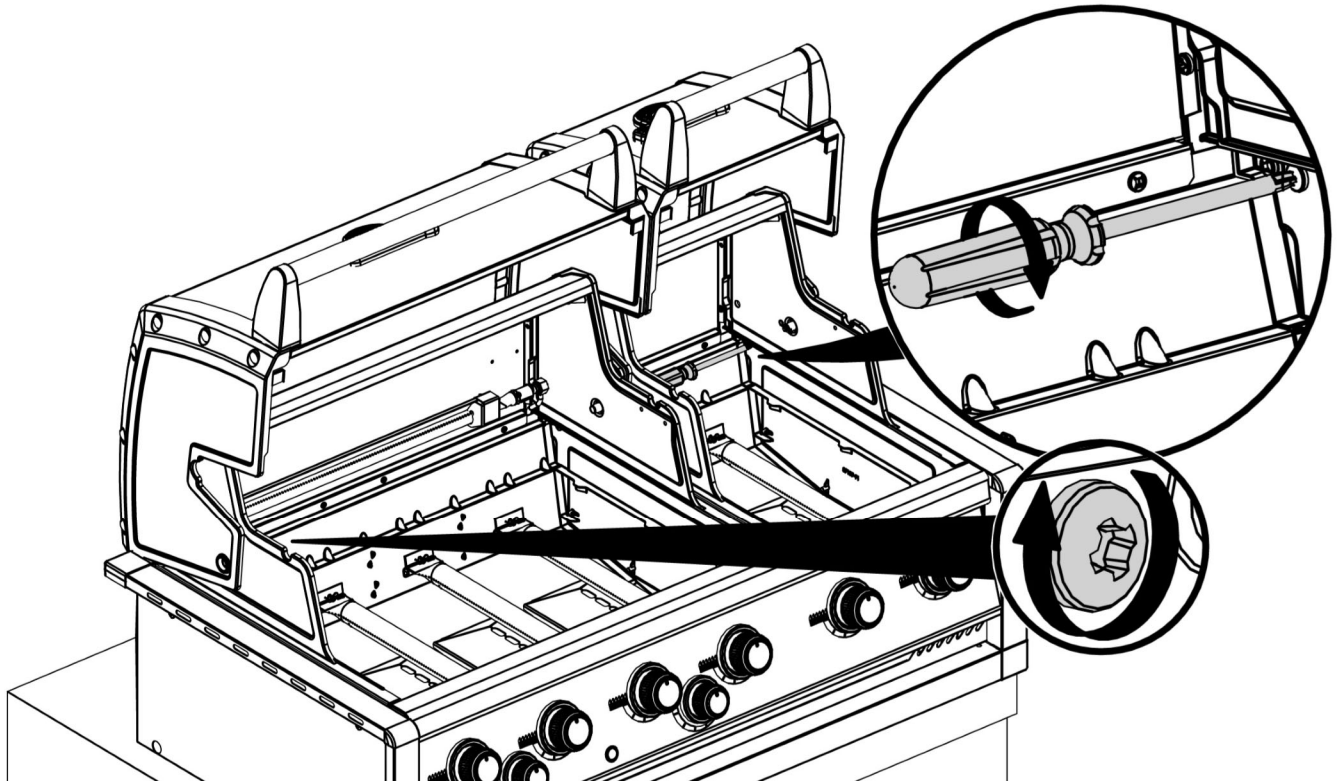


2

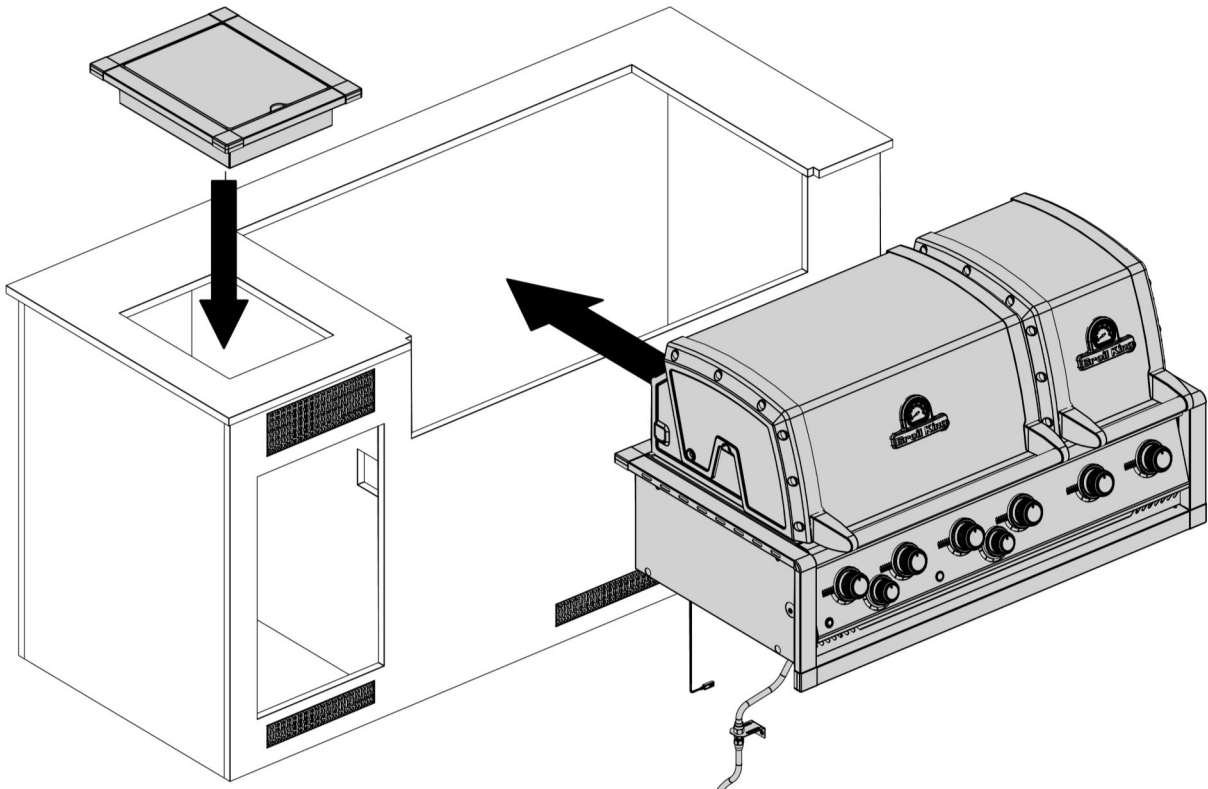
(2) 



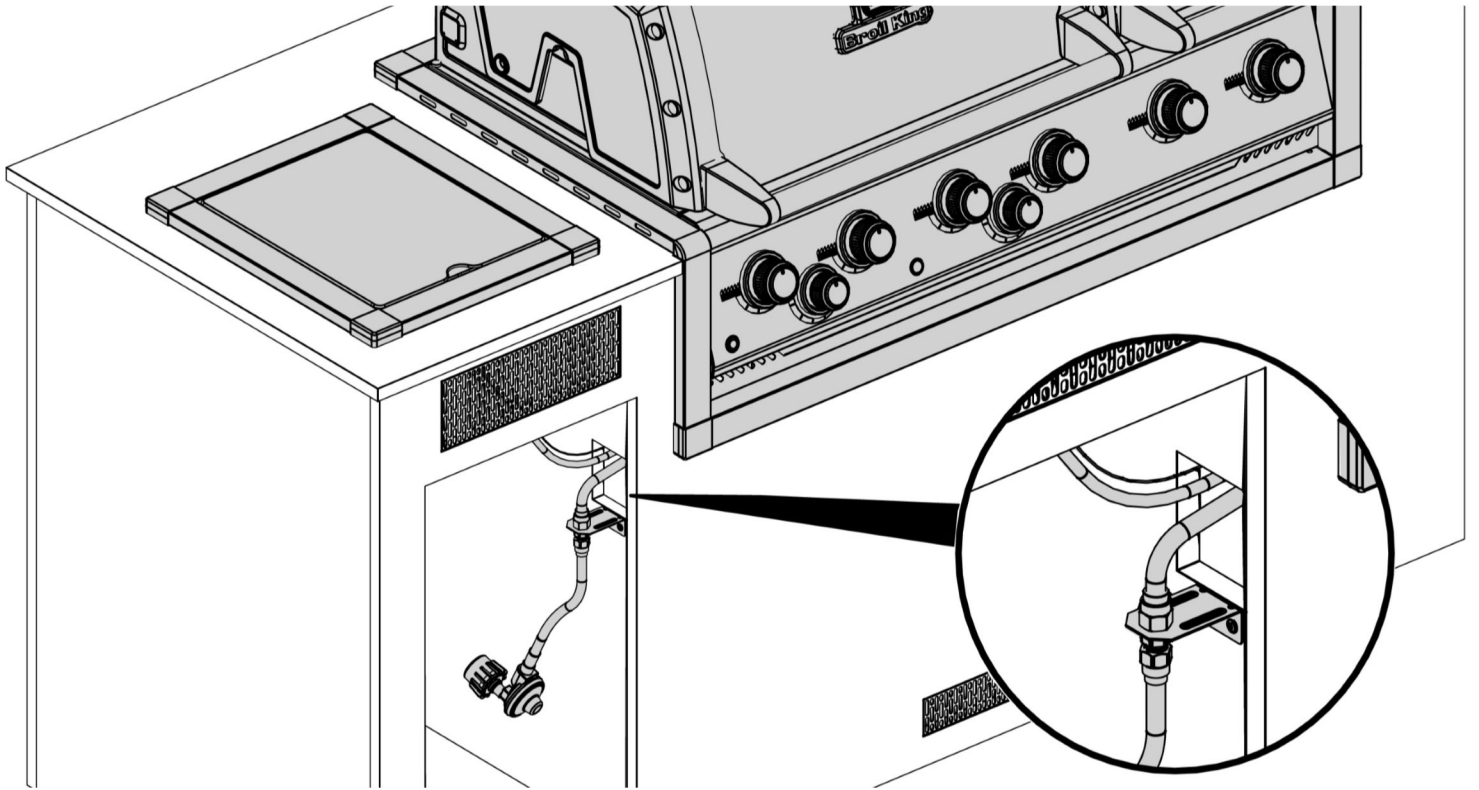
3



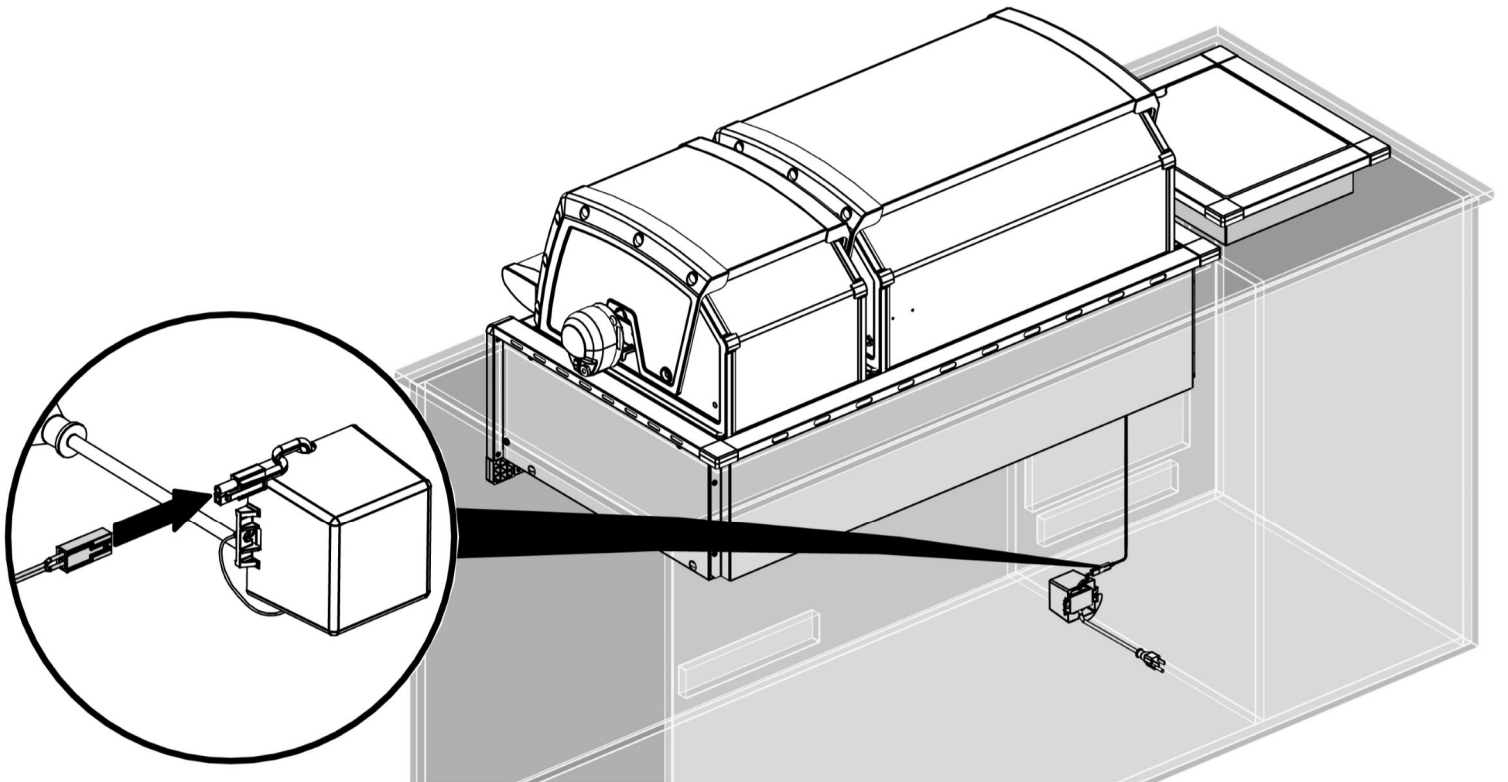
4



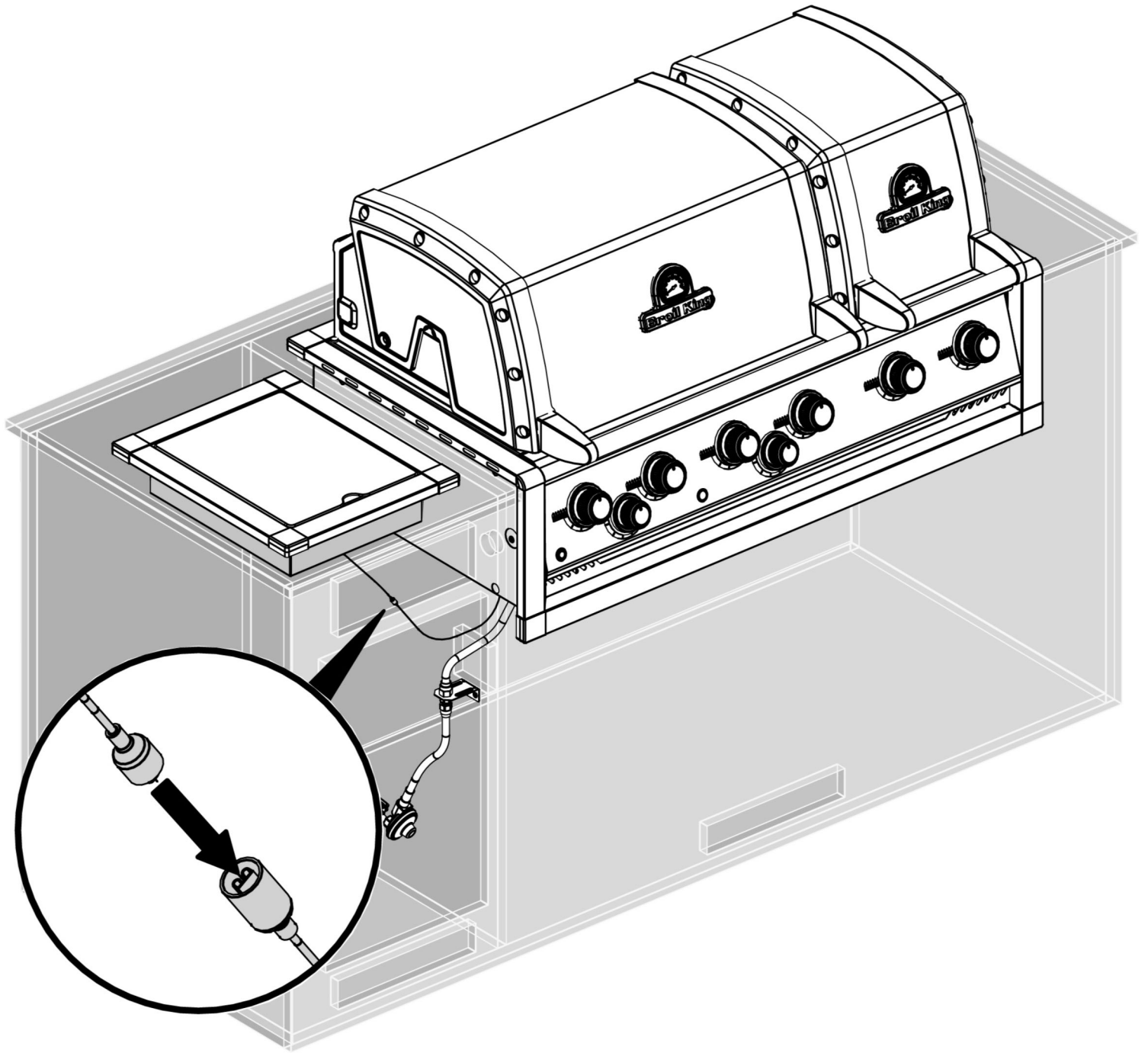
5



6

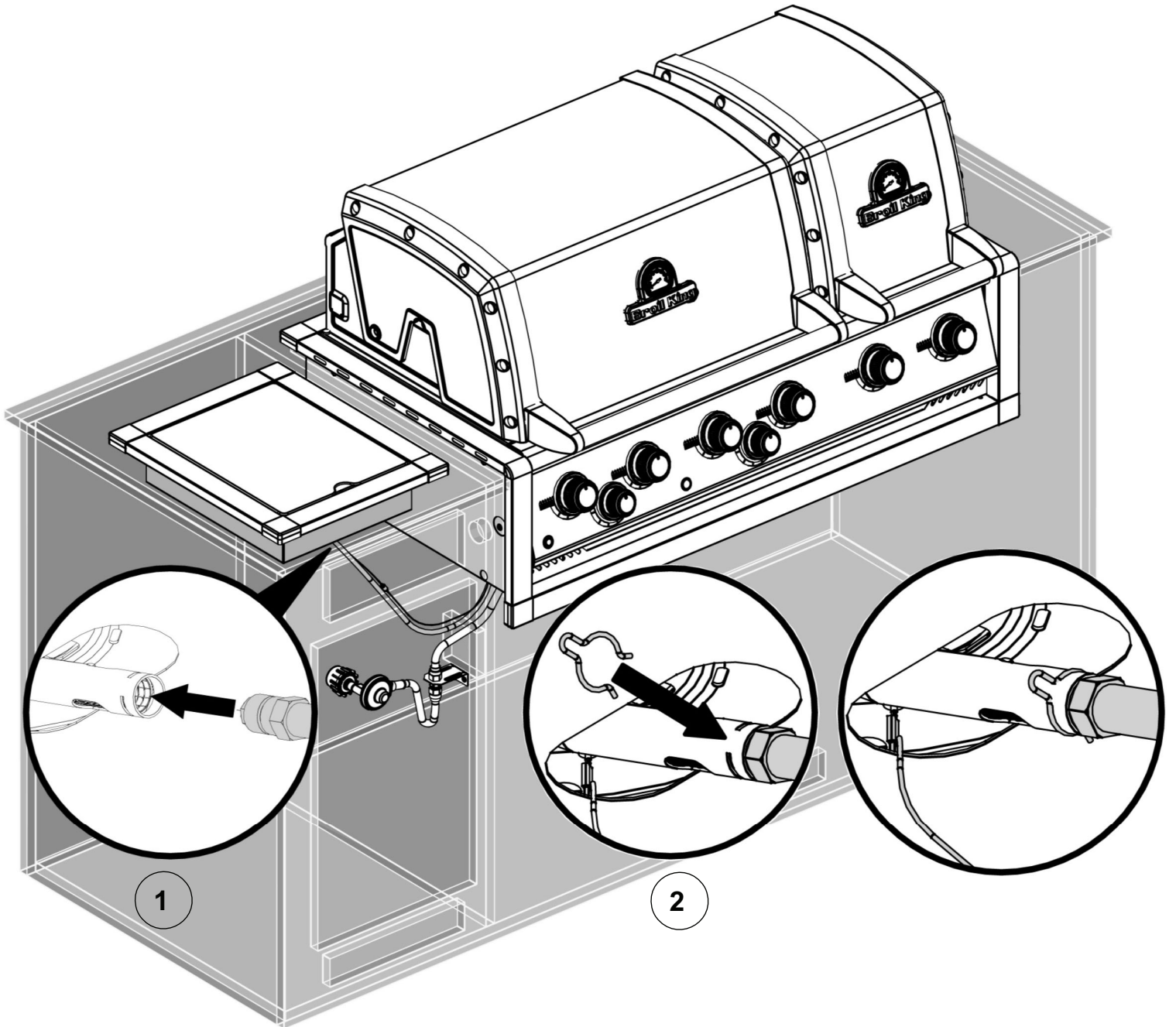
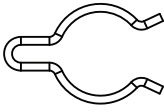


7



8

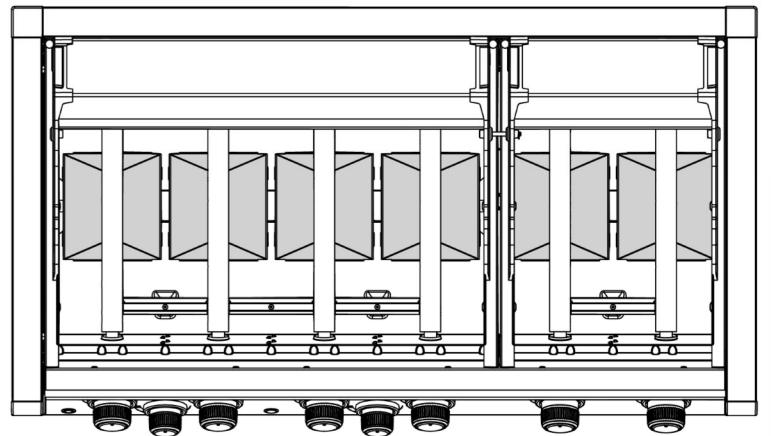
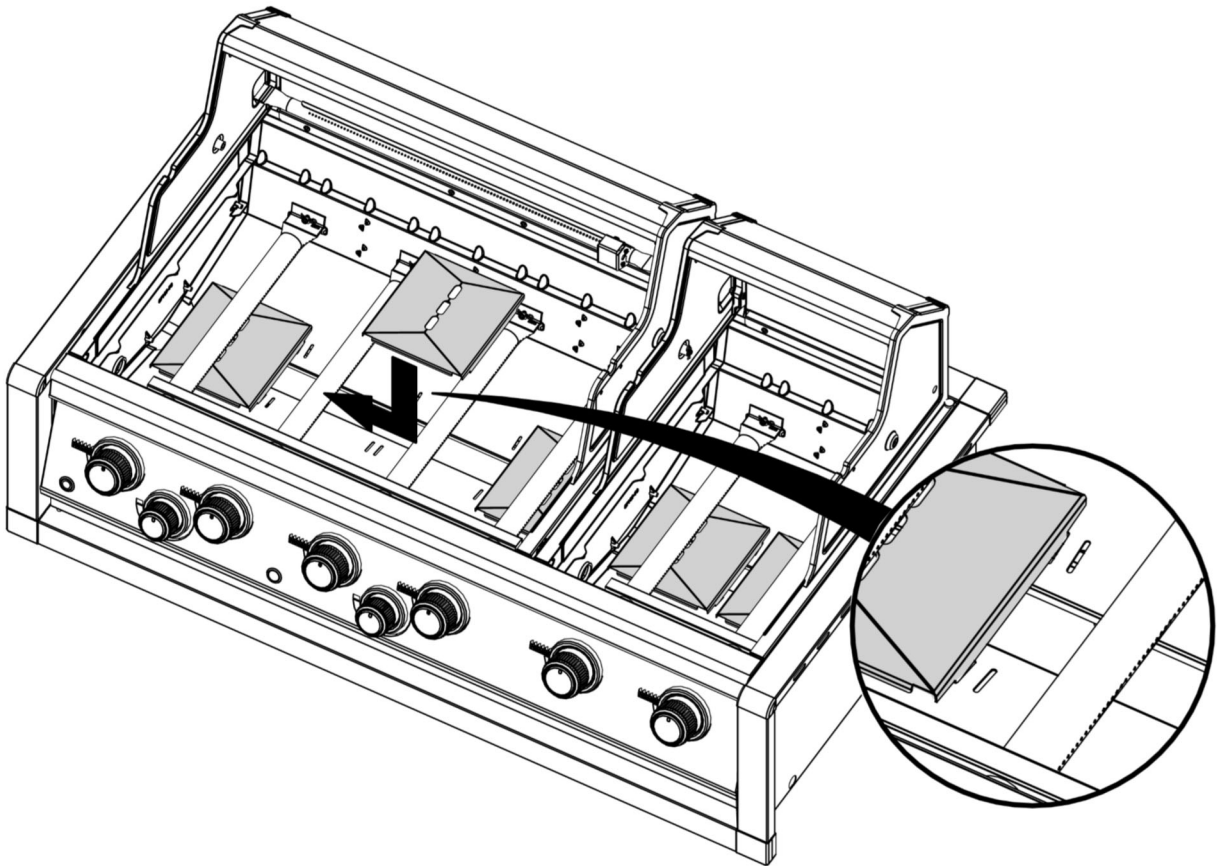
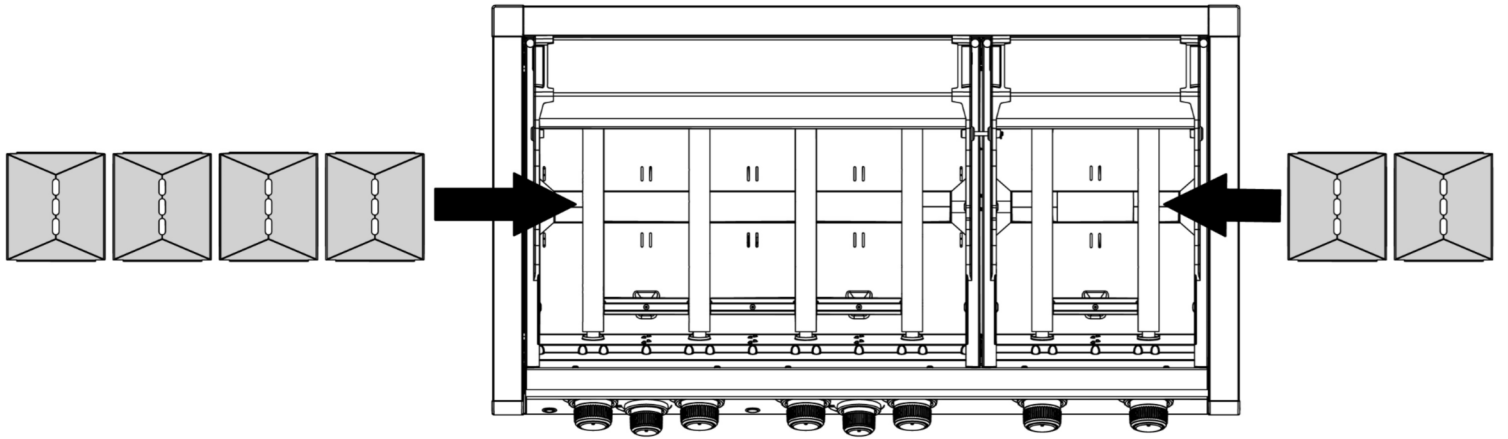
(1)



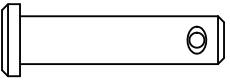
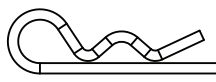
1

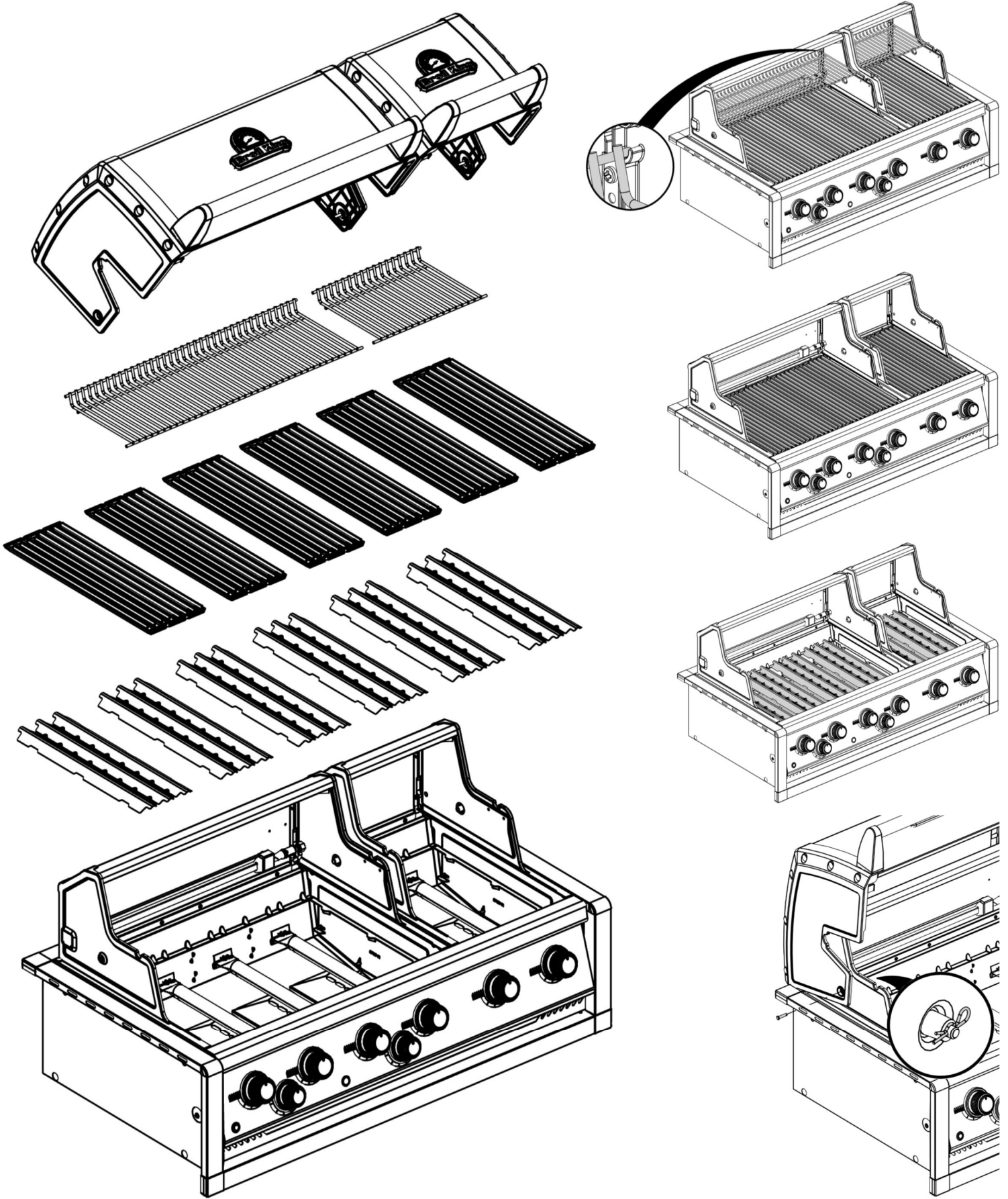
2

9

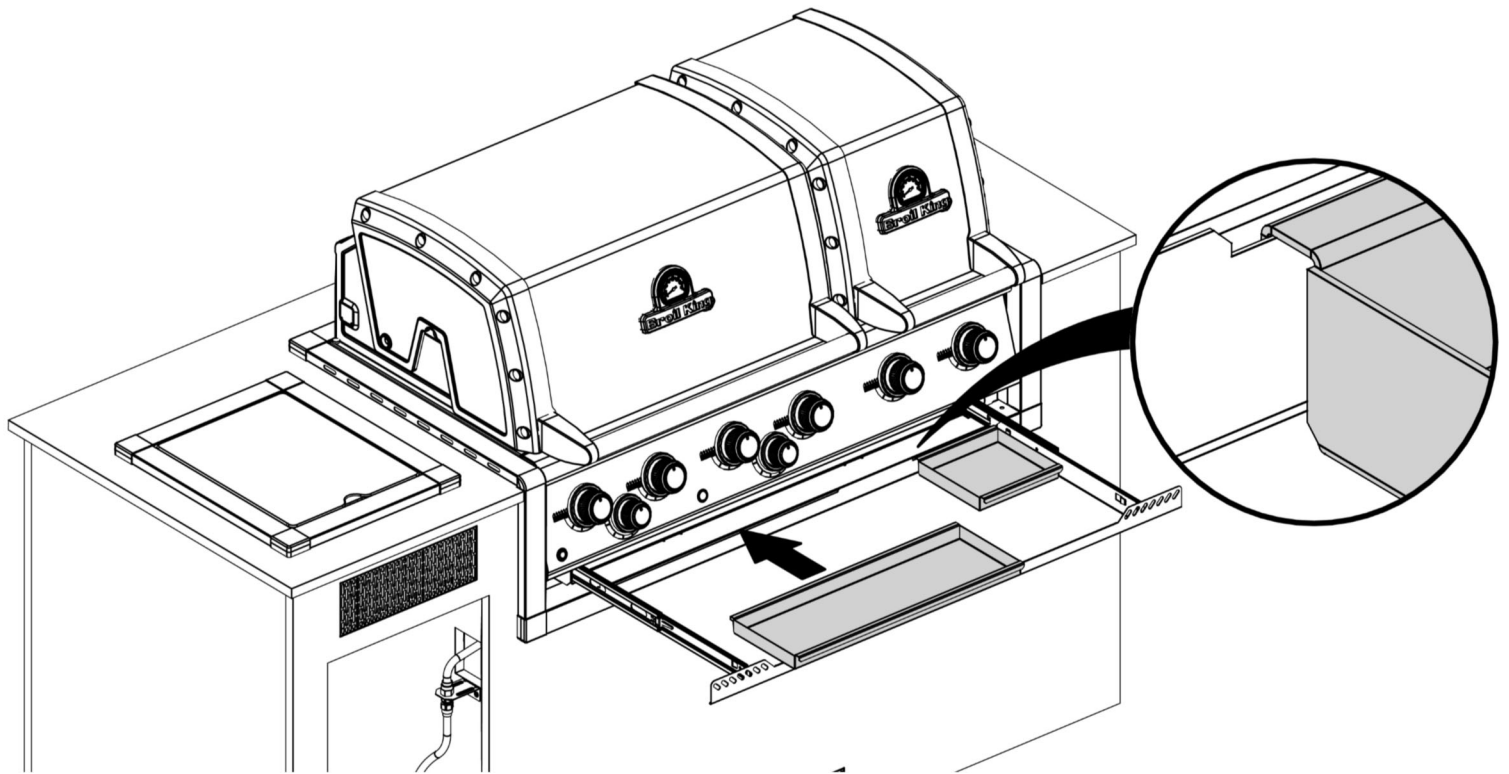


10

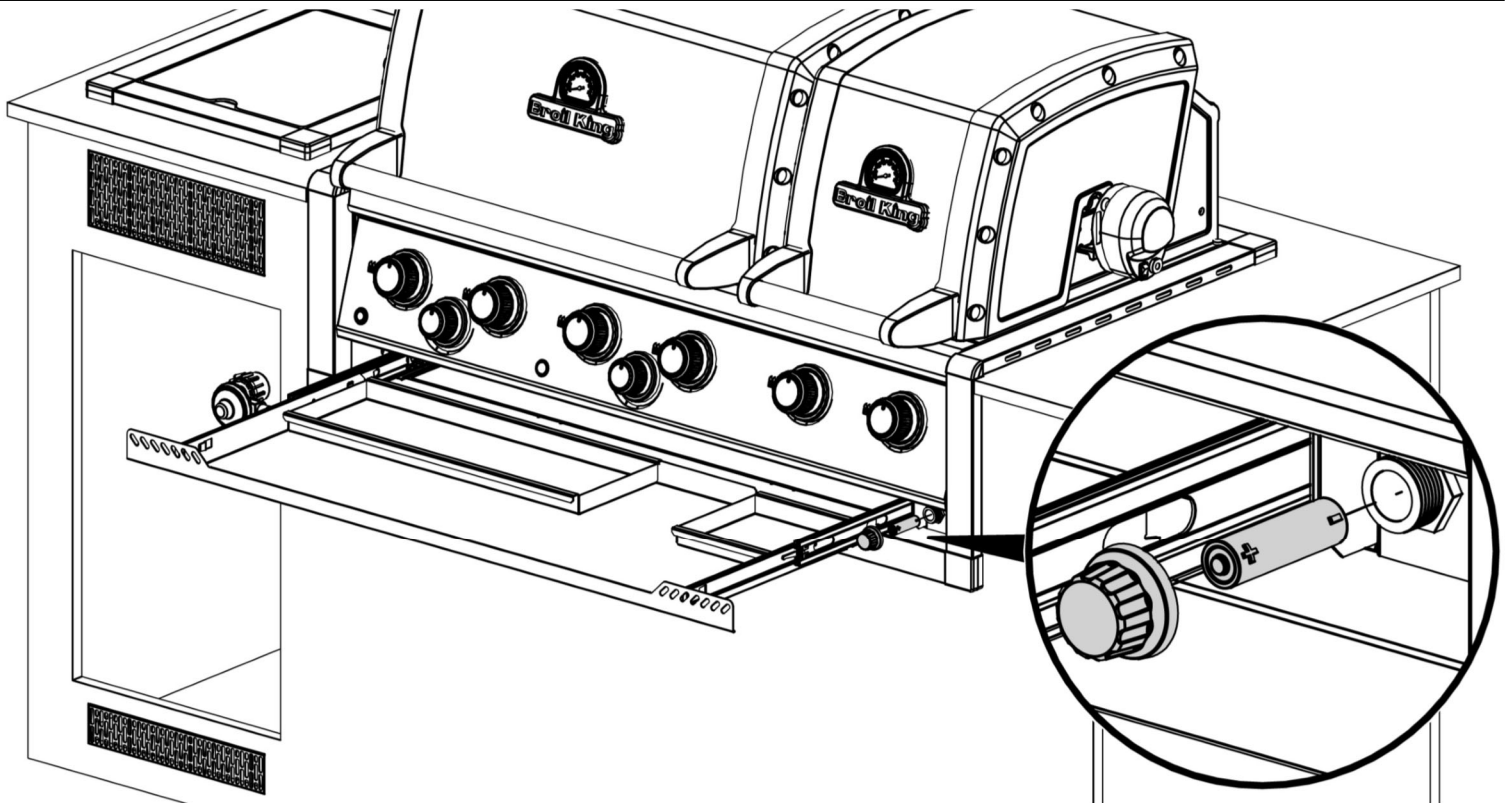
(2)  (2) 



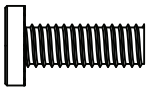

11

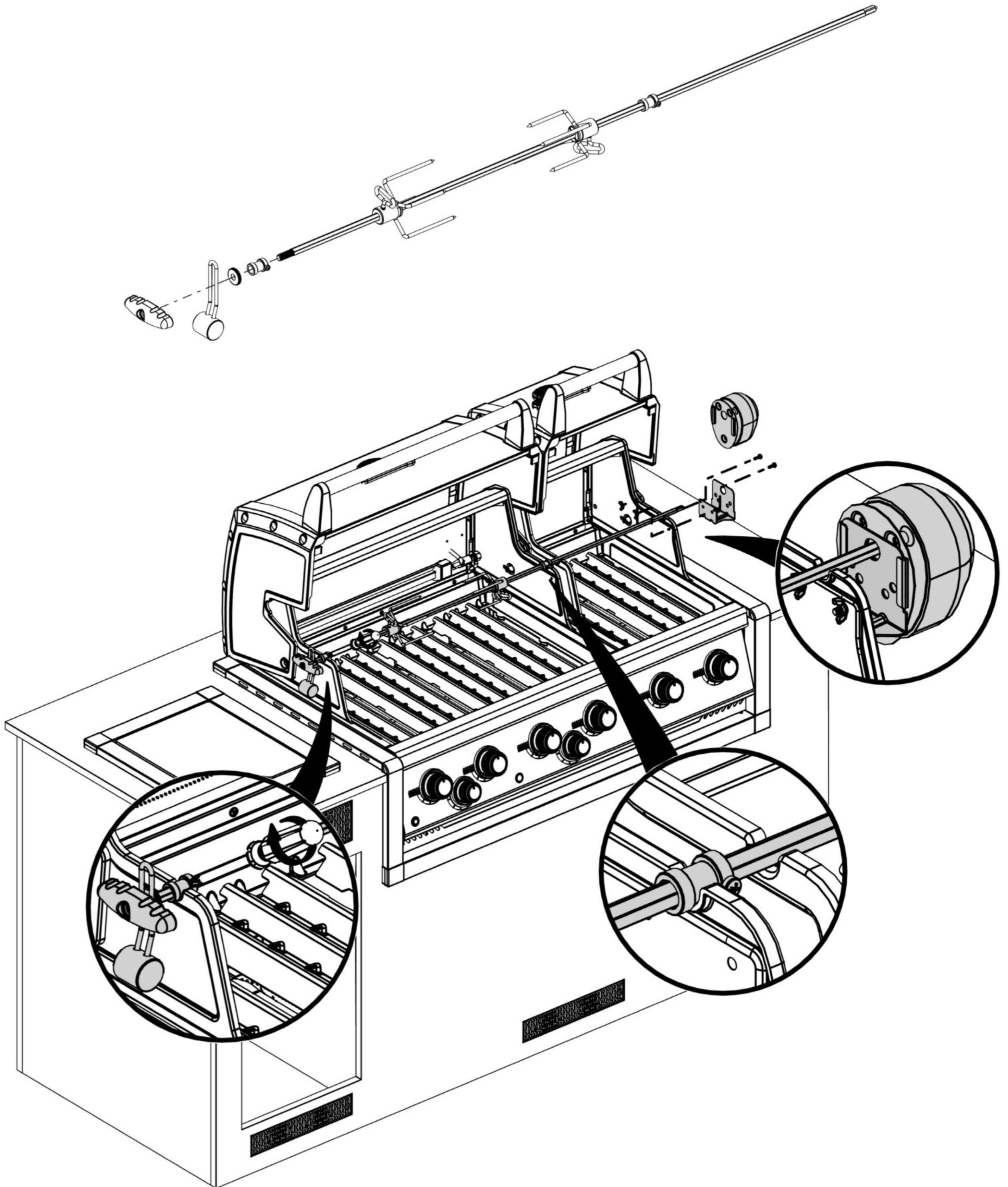


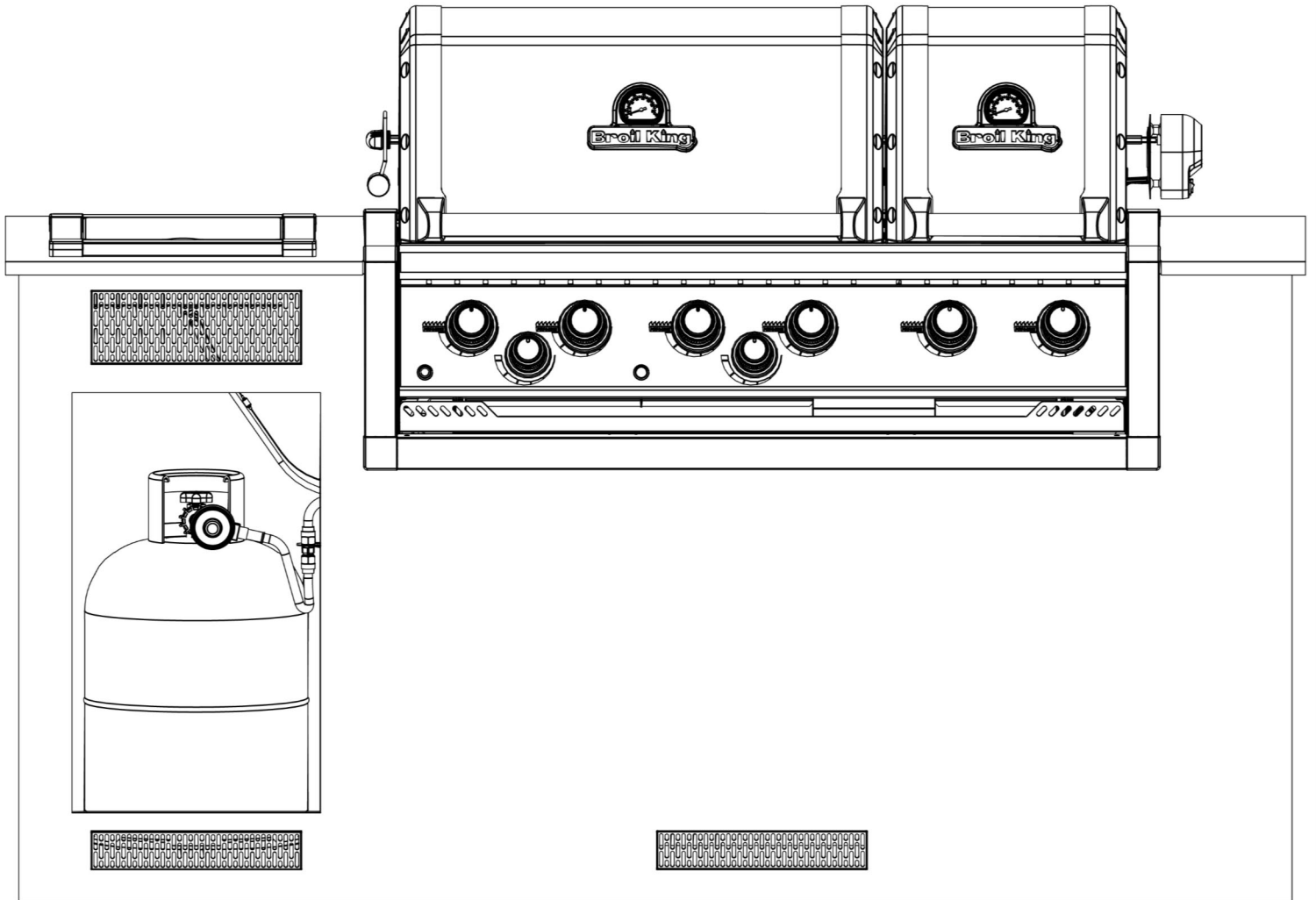
12



13

(2)  (2) 





PARTS LIST

<u>KEY #</u>	<u>ITEM #</u>	<u>DESCRIPTION</u>	<u>9560-82DE</u>	<u>9560-83CH</u>	<u>9560-86CH</u>	<u>9580-82DE</u>	<u>9580-83CH</u>	<u>9580-86CH</u>	<u>9570-82DE</u>	<u>9570-83CH</u>	<u>9570-86CH</u>
101	Y-12130	CORNER CAP - 90 DEGREE	8	8	8	8	8	8	8	8	8
102	Y-12131	CORNER CAP	2	2	2	2	2	2	2	2	2
115	73109-051	SIDE BURNER BASE	1	1	1	1	1	1	1	1	1
124	23000-271	SHELF-SIDE BURNER	1	1	1	1	1	1	1	1	1
125	23000-254	COVER-SIDE BURNER	1	1	1	1	1	1	1	1	1
126	10390-R81A	SIDE BURNER	•	1	1	•	1	1	•	1	1
	10390-R81D	SIDE BURNER	1	•	1	1	•	•	1	•	•
128	23009-99	GRID	1	1	1	1	1	1	1	1	1
130	27905-354	BURNER ROTISSERIE	1	1	1	•	•	•	1	1	1
	27906-354	BURNER ROTISSERIE	•	•	•	1	1	1	•	•	•
131	10693-095	REAR BURNER-ORIFICE	•	•	•	•	•	•	•	•	•
	10693-099	REAR BURNER-ORIFICE	1	1	1	1	1	1	1	1	1
	10693-102	REAR BURNER-ORIFICE	•	•	•	•	•	•	•	•	•
	10693-155	REAR BURNER-ORIFICE	•	•	•	•	•	•	•	•	•
	10693-161	REAR BURNER-ORIFICE	•	•	•	•	•	•	•	•	•
133	S15271	HANDLE	1	1	1	1	1	1	1	1	1
134	S15270	BALANCER	1	1	1	1	1	1	1	1	1
135	S15299	WASHER	1	1	1	1	1	1	1	1	1
136	S15263	BUSHING	1	1	1	1	1	1	1	1	1
137	S15256	SPIT ROD	1	1	1	•	•	•	•	•	•
	S15259	SPIT ROD	•	•	•	1	1	1	•	•	•
	S15260	SPIT ROD	•	•	•	•	•	•	•	•	•
138	S15287	4 PRONG FORKS	2	2	2	2	2	2	2	2	2
139	57039-901	ROTISSERIE BRACKET	1	1	1	1	1	1	1	1	1
140	S21125	SCREW - #8 X 1/2	8	8	8	10	10	10	10	10	10
141	Y-12310	SCREW - 1/4-20 X 3/4	4	4	4	4	4	4	4	4	4
145	S21235	HINGE PIN	2	2	2	2	2	2	2	2	2
145A	10240-17	HINGE PIN	•	•	•	•	•	•	•	•	•
146	S21233	HITCH PIN CLIP	2	2	2	2	2	2	2	2	2
147	Y-11236	LID BUMPER	2	2	2	2	2	2	2	2	2
147A	SP11-25	LID BUMPER	2	2	2	2	2	2	2	2	2
156	Y-12871	SCREW - M4 X 0.7	2	2	2	2	2	2	2	2	2
157	Y-12835	SCREW - #6-32 X 1/4	2	2	2	2	2	2	2	2	2
158	Y-12646	SCREW - #8-32 X 3/8	2	2	2	2	2	2	2	2	2
159	S21136	SCREW - #8-32 X 3/8	12	12	12	14	14	14	14	14	16
161	Y-29304	SCREW - #10-24 X 3/8	21	21	21	21	21	21	21	21	23
162	S35095	SCREW - #10-24 X 5/8	2	2	2	2	2	2	2	2	2
167	Y-29301	SCREW - #10-24 X 1/2	20	20	20	20	20	20	20	20	20
169	S21061	WING NUT	2	2	2	2	2	2	2	2	2
171	S15244 (UK)	MOTOR	•	0/0/1	0/0/0/1	•	0/0/1	0/0/0/1	•	0/0/1	0/0/0/1
	S15245 (CH)	MOTOR	•	1/0/0	1/0/0/0	•	1/0/0	1/0/0/0	•	1/0/0	1/0/0/0
	S15246 (EU)	MOTOR	1	0/1/0	0/1/1/0	1	0/1/0	0/1/1/0	1	0/1/0	0/1/1/0

PARTS LIST

KEY #	ITEM #	DESCRIPTION	9560-82DE	9560-83CH	9560-86CH	9580-82DE	9580-83CH	9580-86CH	9570-82DE	9570-83CH	9570-86CH
173	S21362	SPRING	1	1	1	1	1	1	1	1	1
181	25070-91	LIGHT SWITCH WIRE	1	1	1	1	1	1	1	1	1
181A	25070-95	LIGHT SWITCH BUTTON	1	1	1	1	1	1	1	1	1
182	25020-71	OVEN LIGHT	2	2	2	2	2	2	3	3	3
184	25080-90CH	TRANSFORMER	•	1/0/0	1/0/0/0	•	1/0/0	1/0/0/0	•	1/0/0	1/0/0/0
	25080-90EU	TRANSFORMER	1	0/1/0	0/1/1/0	1	0/1/0	0/1/1/0	1	0/1/0	0/1/1/0
	25080-90UK	TRANSFORMER	•	0/0/1	0/0/0/1	•	0/0/1	0/0/0/1	•	0/0/1	0/0/0/1
185	25030-72	WIRE - OVEN LIGHT	1	1	1	1	1	1	1	1	1
187	25030-70	WIRE - OVEN LIGHT	•	•	•	•	•	•	•	•	•
188	Y-12865	BOLT 1/4-20 X 1/2	16	16	16	16	16	16	17	17	17
190	25020-83	WIRE - LED LIGHT	1	1	1	•	•	•	•	•	•
	25020-84	WIRE - LED LIGHT	•	•	•	1	1	1	1	1	1
191	25020-83	WIRE - LED LIGHT	1	1	1	1	1	1	•	•	•
	25020-84	WIRE - LED LIGHT	•	•	•	•	•	•	1	1	1

